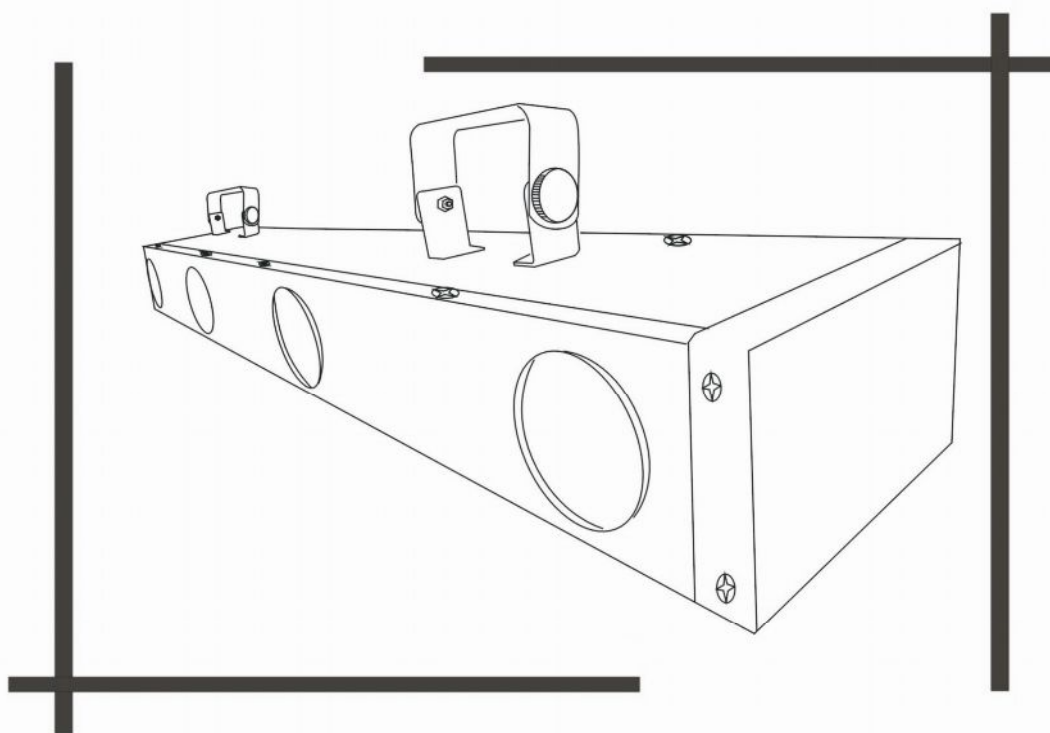


INVOLIGHT

DMX LED 4-eye laser

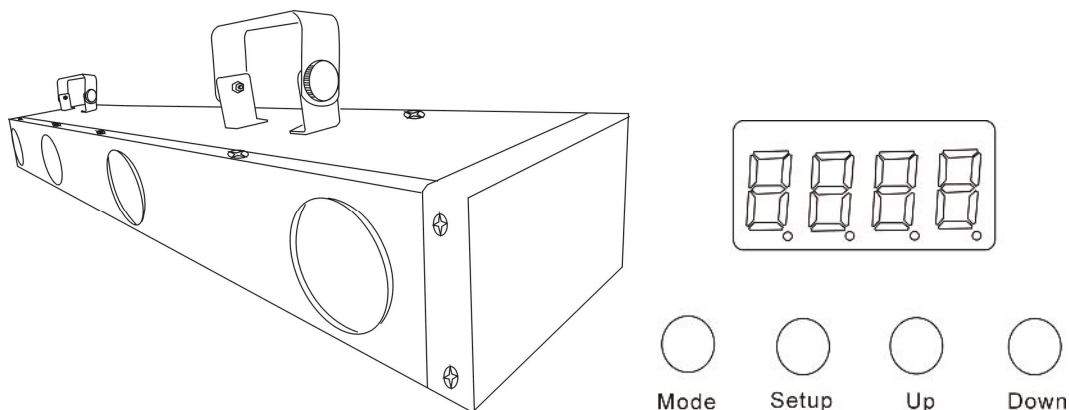


LEDRX350

USER MANUAL

DMX LED 4-eye laser manual

Our DMX LED 4-eye laser effect light offers many possibilities to achieve very nice laser effects which you want. It is specially designed for the stages, disco, night clubs etc. Please read the manual before operation.



A. SPECIFICATION:

1. Weight: 5.5kg
2. size: 930mm*150mm*95mm
3. Power input: AC 90V-240V,50/60HZ
4. Power consumption: 40W
5. LEDs: 256 (R:64, G:64, B:64, W:32, Y:32)ultra bright 5mm
6. Beam angle: 15 degree
7. 3 pin female XLR socket and 3 pin male XLR socket
8. Built-in microphone
9. Two kinds of sound active modes.
10. Two kinds of DMX modes
11. Built-in programs, Auto running, Sound active, Slave mode, DMX mode, Select static color
12. 4-button LED display for easier operation.
13. Recall last operation when power is on again.
14. Auto running loops selectable.

B.OPERATION:

After power on, Press “MODE” button to activate the main menu: Built-in programs mode, Auto running mode, DMX mode, Slave mode, Sound active mode, Select static color

“SETUP” is to set the relative specification for current mode.

“UP” is to add the value of current specification.

“DOWN” is to decrease the value of current specification.

Built-in programs-- running one of 42 built-in programs

Auto run—running built-in programs one after another in continuous loop.

DMX mode--controlled by DMX controller

Slave mode—the projectors in this mode will be synchronously run with the projectors in master mode

Sound mode-- running by sound - activated

Select static color—to have static color effects from this function.

1. built-in programs mode

With DMX LED 4-eye laser, you can select 42 different built-in Programs.

Press "MODE" button, when it shows: **Pr.0** (Pr01), it means you can select the 26 built-in programs by pressing "UP" "DOWN".

When **Pr.0** (Pr01), press "SETUP" button for the first time, it shows: **SP00**, you can set the speed by pressing "UP" "DOWN".

If press "SETUP" button for the second time, it shows: **F500**, you can set the flash frequency by pressing "UP" "DOWN".

SP- speed 00-100

FS—flash frequency from 00-99

2. Auto run mode

You can press "MODE" button to select auto run mode, it shows **AU70**, then it will run the built-in programs automatically.

Press "SETUP" button for the first time, then it shows: **r.00** !. Then you can select loops numbers by pressing "UP" "DOWN". press "SETUP" button for the second time, it shows: **SP00**, you can set the speed by pressing "UP" "DOWN". If press "SETUP" button for the second time, it shows: **F500**, you can set the flash frequency by pressing "UP" "DOWN".

3. DMX mode

You can control the devices individually via your DMX-controller.

Press "MODE" button, when it is **d.00** !, it is DMX mode. You can set DMX value by pressing "UP" "DOWN".

If press "SETUP" button, it shows: d-p1 **d-P1** or d-p2 **d-P2**, You can choose different DMX mode by pressing "UP" "DOWN".

DMX model: d-P1

CH1			CH2	CH3
NO.	DMX value	FUNCTION	SPEED	FLASH
1	0	OFF	NO USE	NO USE
2	1—5	PROGRAM01	SPEED 0—255	FASH 0—255
3	6—11	PROGRAM02		
4	12—17	PROGRAM03		
5	18—23	PROGRAM04		
6	24—29	PROGRAM05		
7	30—35	PROGRAM06		
8	36—41	PROGRAM07		
9	42—47	PROGRAM08		
10	48—53	PROGRAM09		
11	54—59	PROGRAM10		
12	60—65	PROGRAM11		
13	66—71	PROGRAM12		
14	72—77	PROGRAM13		
15	78—83	PROGRAM14		
16	84—89	PROGRAM15		
17	90—95	PROGRAM16		
18	96—101	PROGRAM17		
19	102—107	PROGRAM18		
20	108—113	PROGRAM19		
21	114—119	PROGRAM20		
22	120—125	PROGRAM21		
23	126—131	PROGRAM22		

24	132—137	PROGRAM23		
25	138—143	PROGRAM24		
26	144—149	PROGRAM25		
27	150—155	PROGRAM26		
28	156—161	PROGRAM27		
29	162—167	PROGRAM28		
30	168—173	PROGRAM29		
31	174—179	PROGRAM30		
32	180—185	PROGRAM31		
33	186—191	PROGRAM32		
34	192—197	PROGRAM33		
35	198—203	PROGRAM34		
36	204—209	PROGRAM35		
37	210—215	PROGRAM36		
38	216—221	PROGRAM37		
39	222—227	PROGRAM38		
40	228—233	PROGRAM39		
41	234—239	PROGRAM40		
42	240—245	PROGRAM41		
43	246—251	PROGRAM42		
44	252—255	Sensitivity 0--31	NO USE	

DMX mode2: d-P2

CH1			CH2
NO.	DMX Value	FUNCTION	FLASH
1	0	OFF	NO USE
2	1—22	R	FASH 0--255
3	23—45	G	
4	46—68	B	
5	69—91	Y	
6	92—114	W	
7	115—137	YW	
8	138—160	RG	
9	161—183	RB	
10	184—206	GB	
11	207—229	RGB	
13	230—252	RGBYW	
14	253--255	Sound Mode	

4. Slave mode

press “MODE” button to select **SLAVE** to run the slave mode.

5. Sound mode

press “MODE” button to select **SO00** to be run, press “SETUP” button, it shows **5.31** (activated one time, running one step) which is better for rock music or **5.231** (activated one time, running for 5 seconds) which is better for soft music, press “UP” or “DOWN” buttons for three seconds until it switches to another sound mode. Adjust the sensitivity by pressing “UP” “DOWN” buttons.

Sensitivity: SO01-SO31

6. Select Static color

press "MODE" button to select **CLT -**, there are 12 built-in static color effects. You can select different effect by pressing "UP" and "DOWN" buttons.

INVOLIGHT